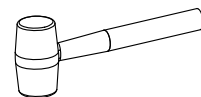
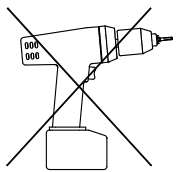
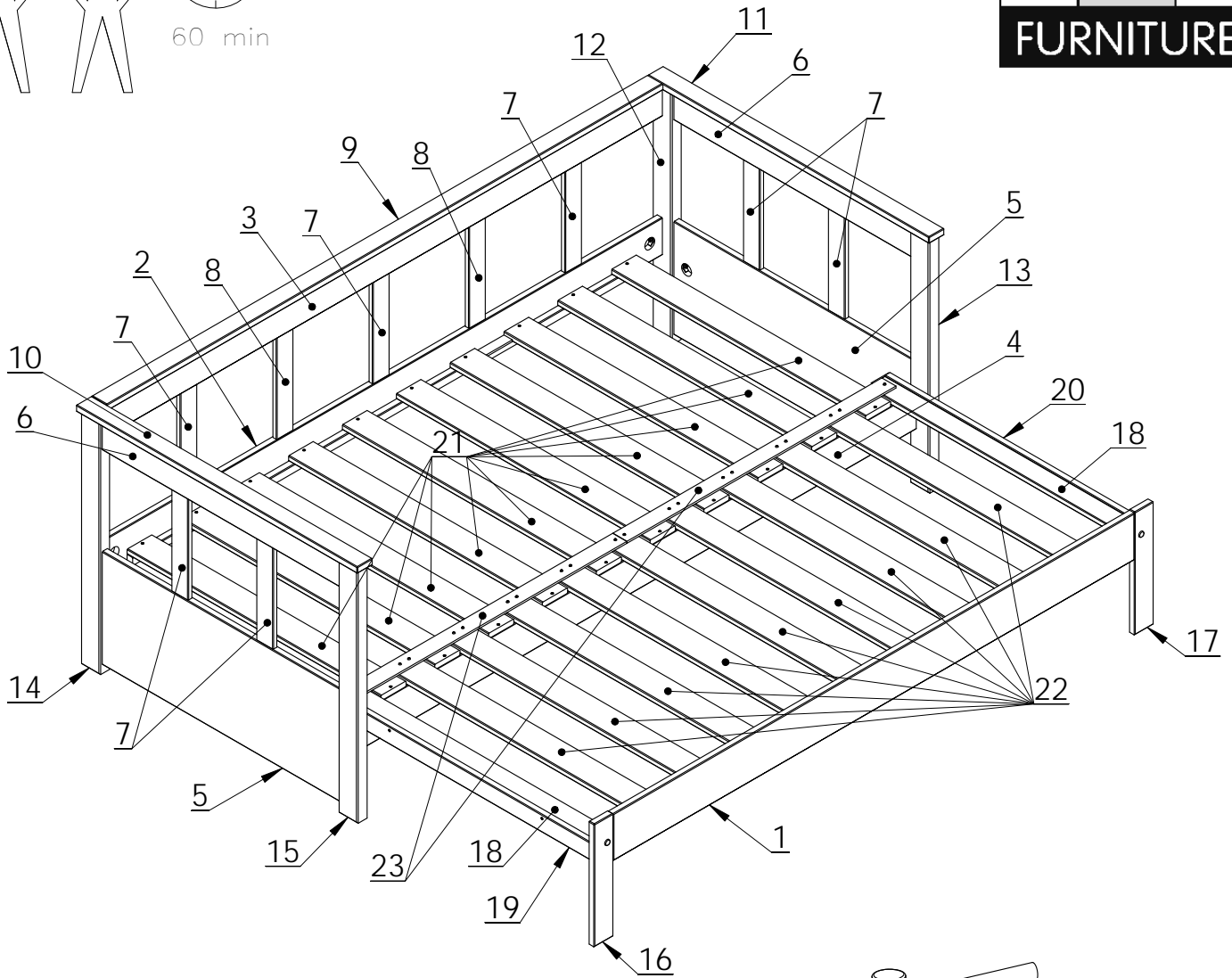
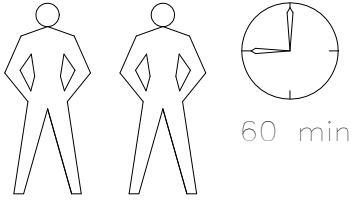


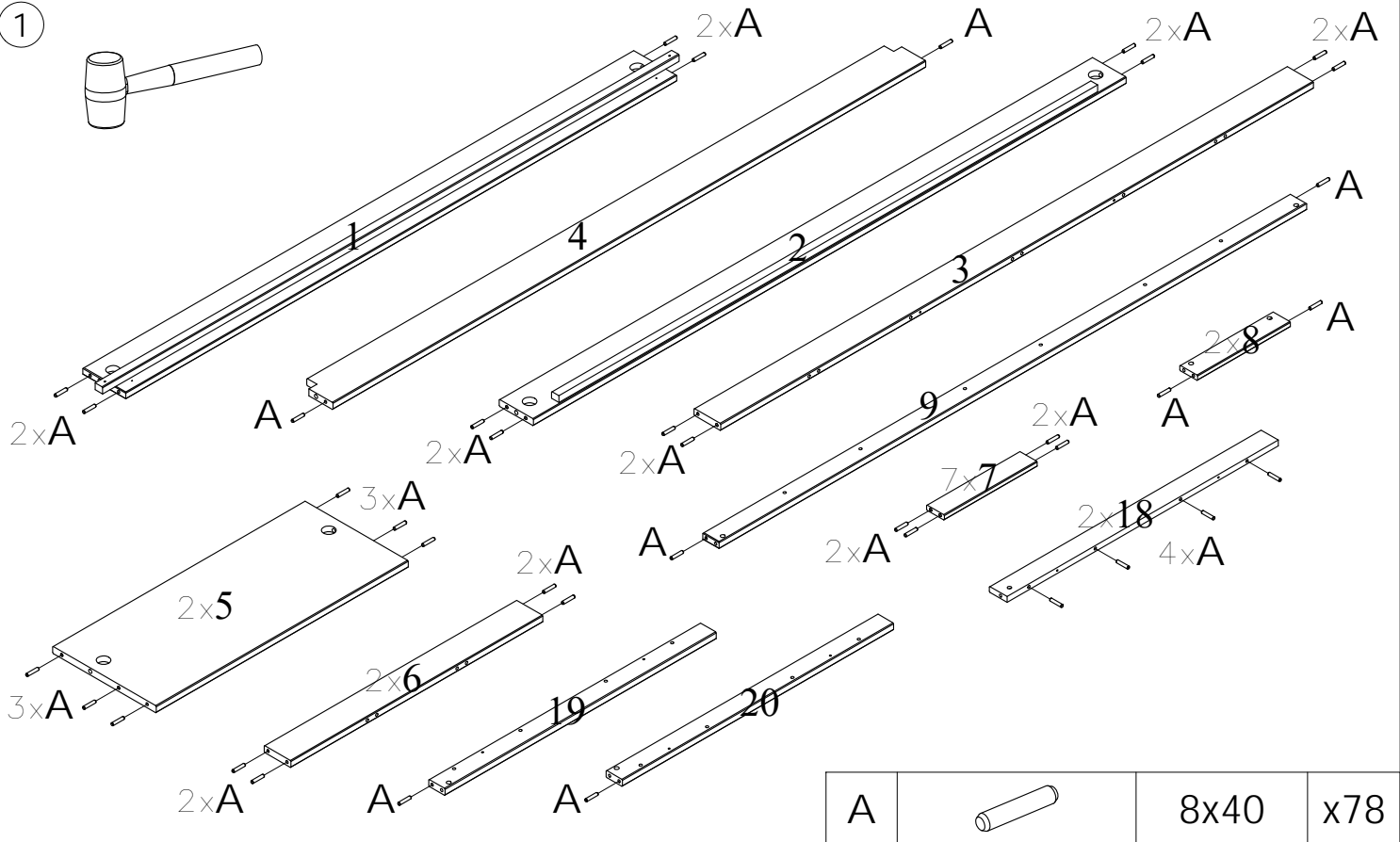
LV699-107



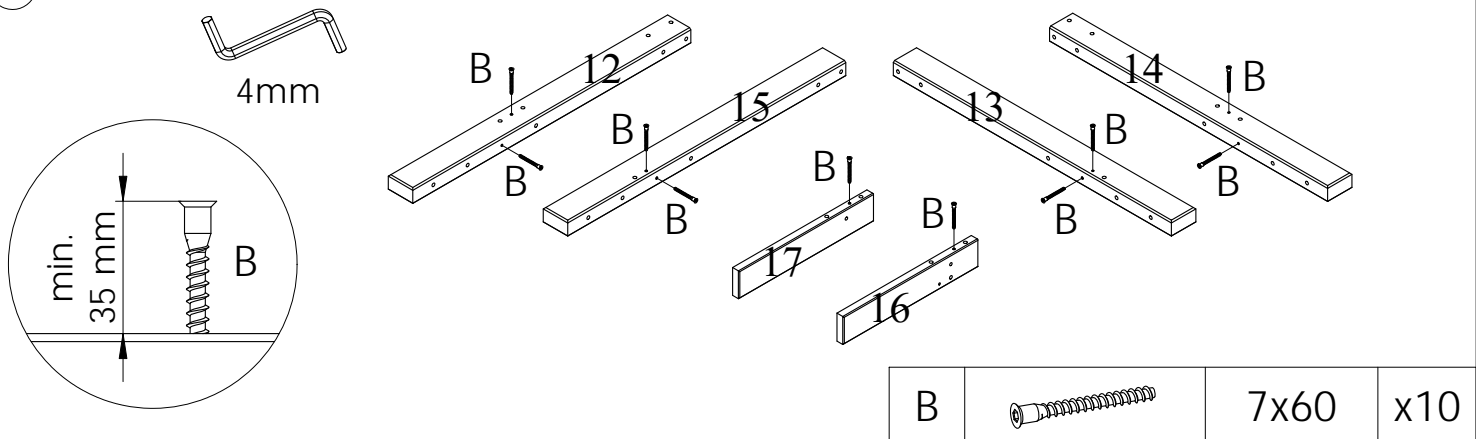
A		8x40	x96
B		7x60	x10
C		D35	x10
D		M6x55	x2
E		M6x10x13	x2
F		6,1x24x35	x8
G		D12x10	x8

H		5x50	x4
K		4x20	x24
M		3,5x35	x31
S		60x50x4	x2
T		102x30x6	x2
U			x1
V		4mm	x1

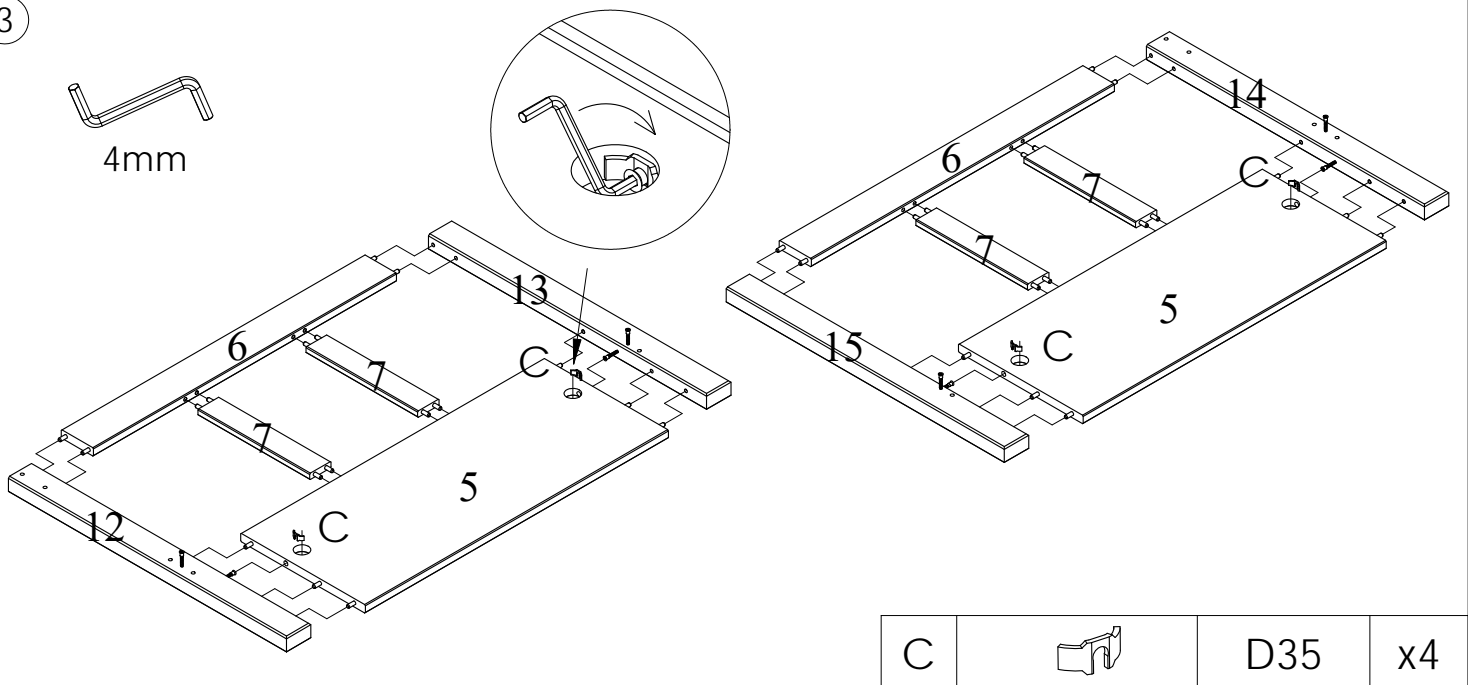
①

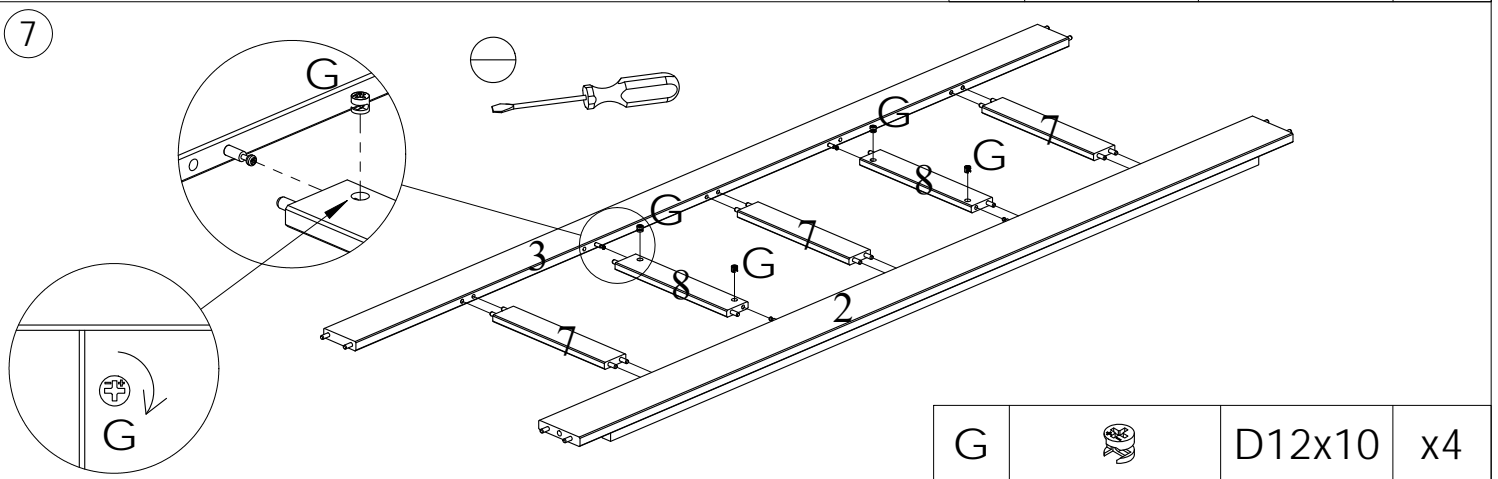
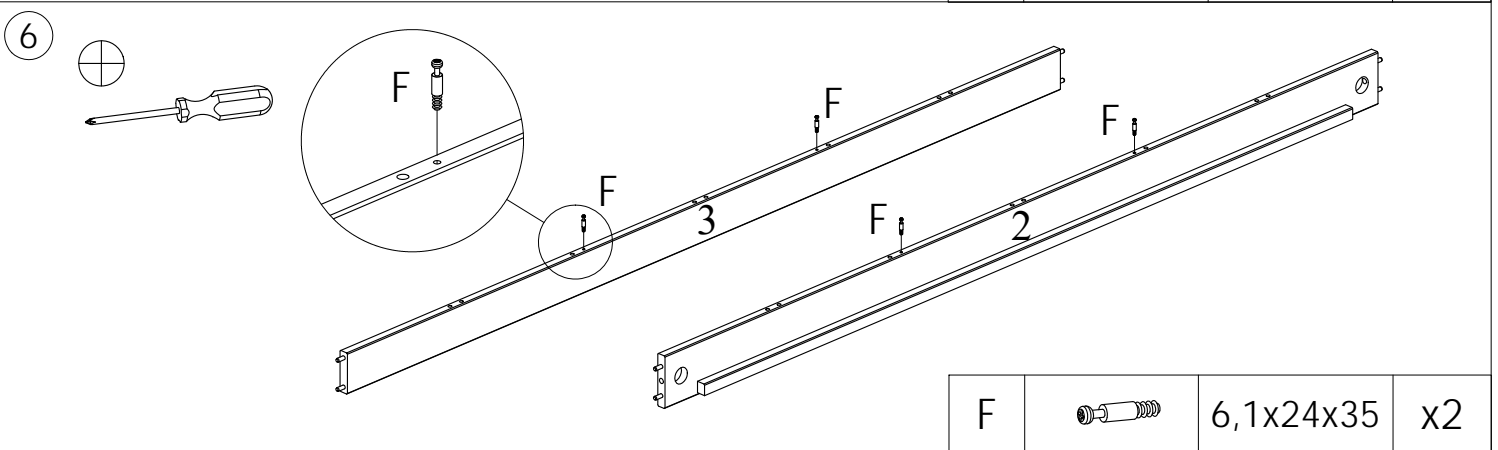
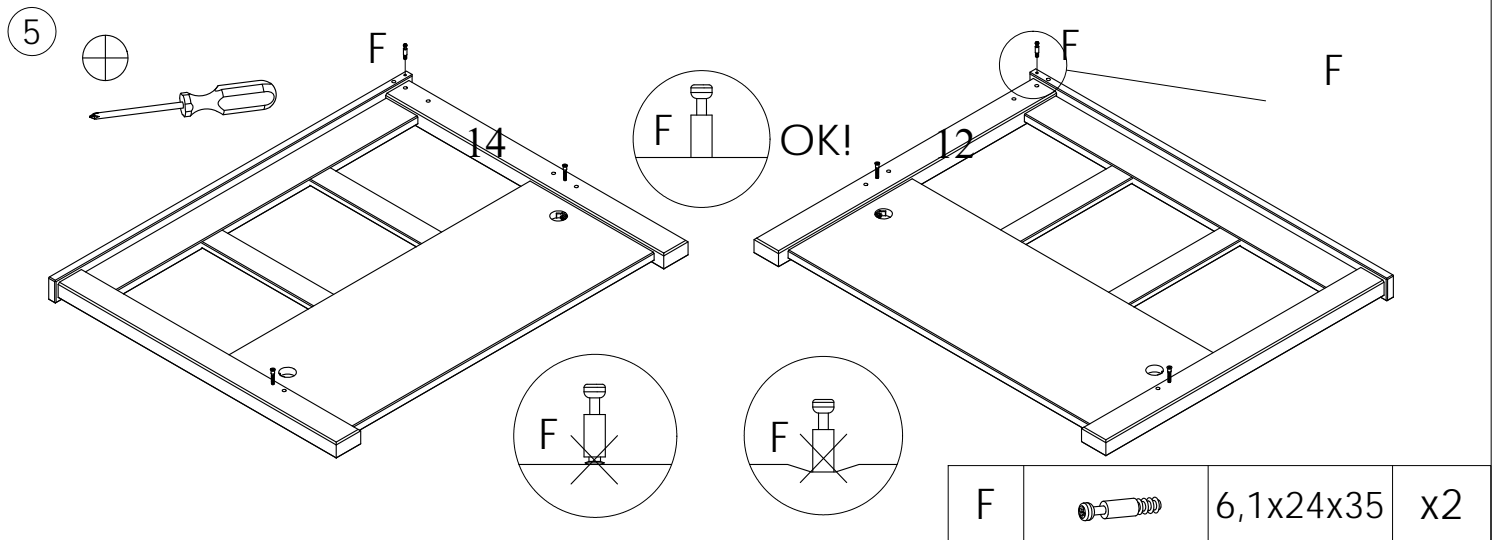
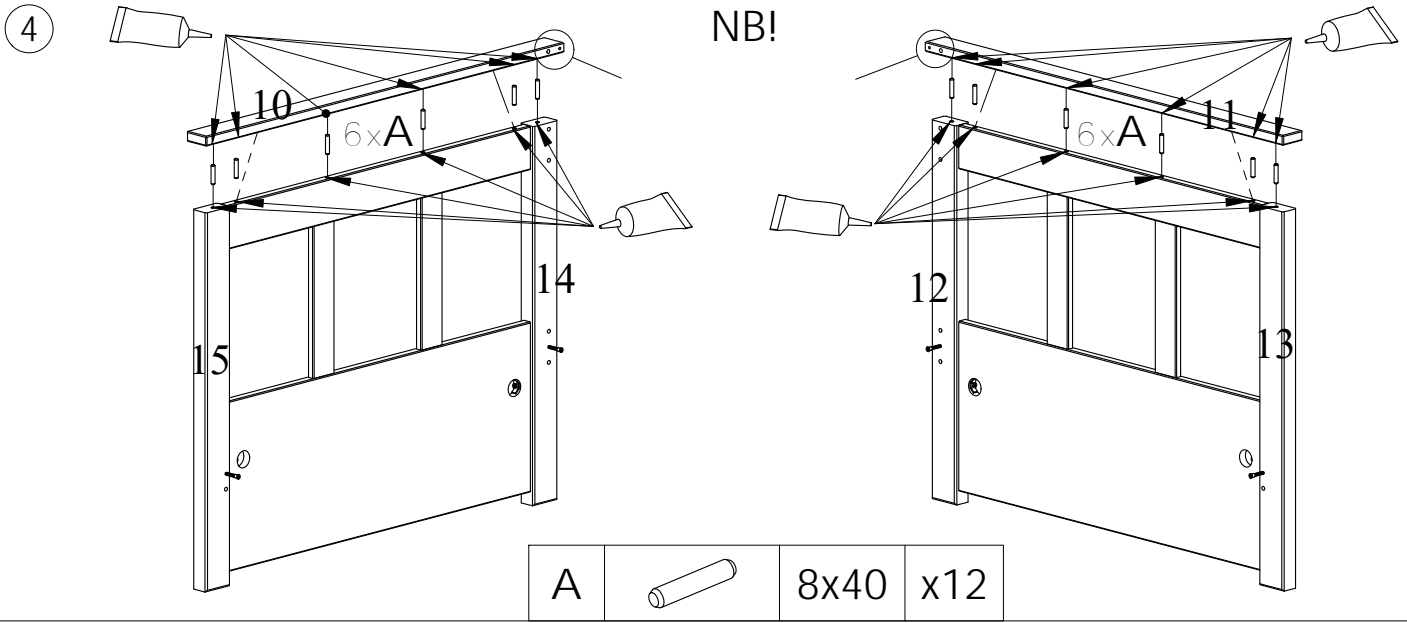


②

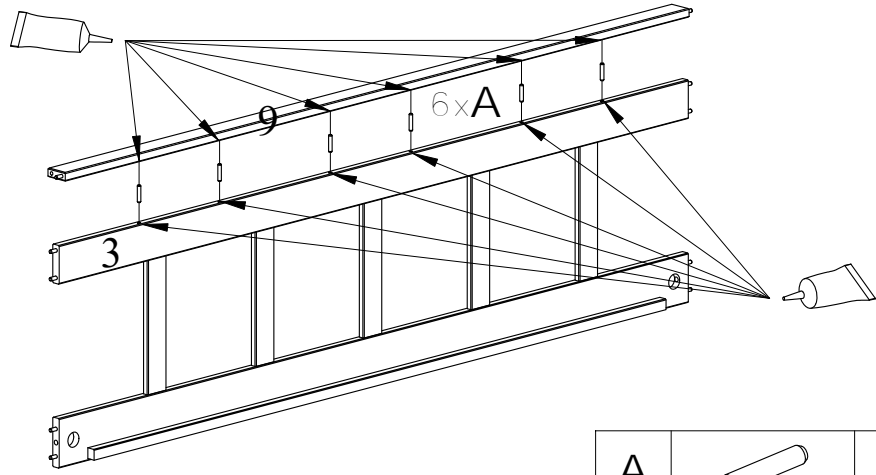


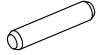
③



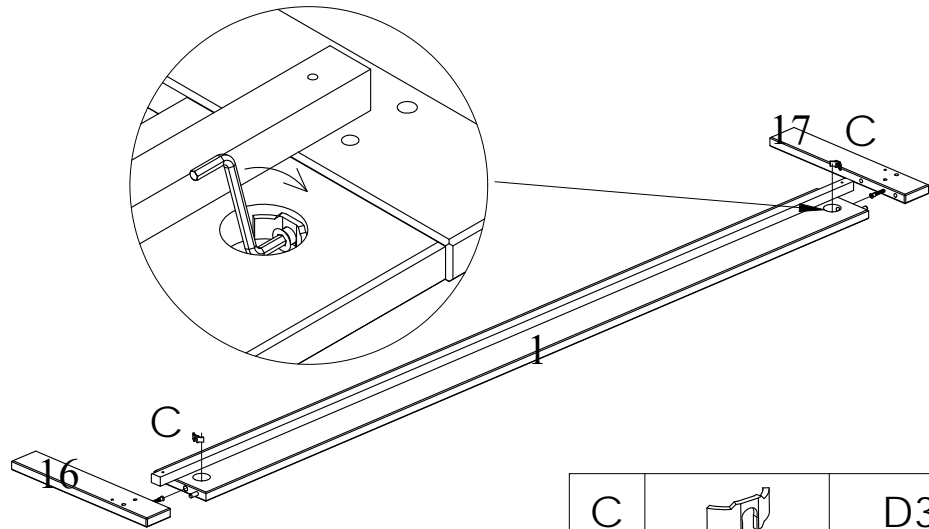
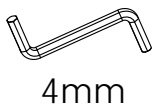



8



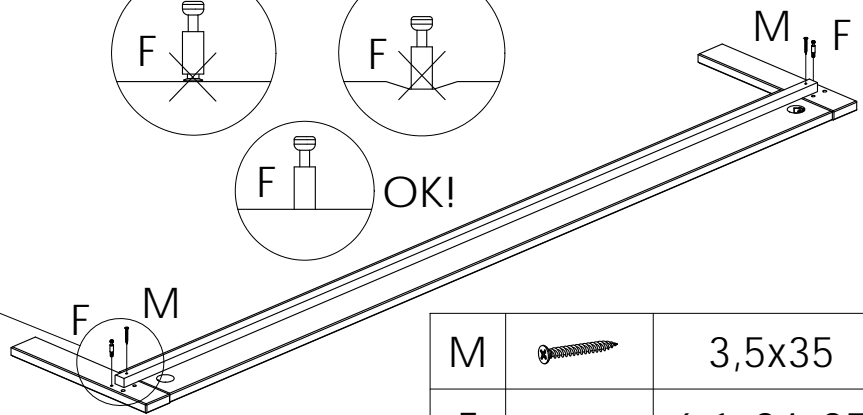
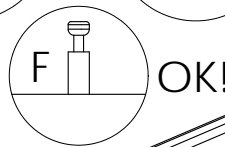
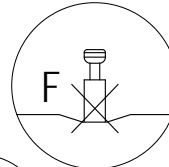
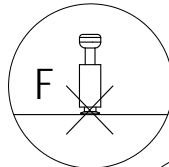
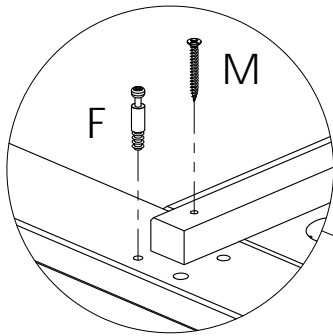
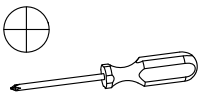
A		8x40	x6
---	---	------	----



9



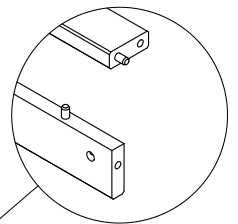
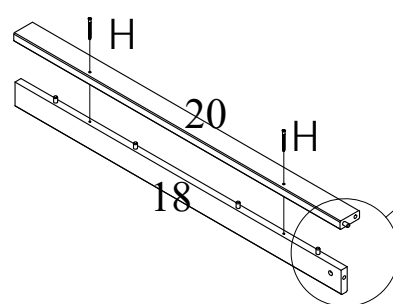
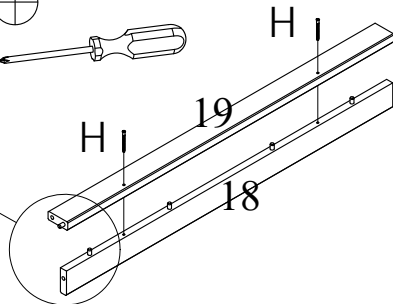
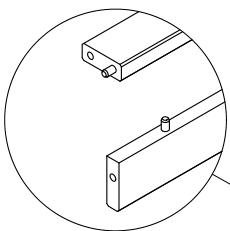
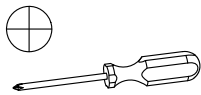
C		D35	x2
---	---	-----	----


10



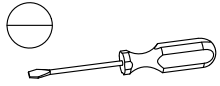
M		3,5x35	x2
F		6,1x24x35	x2

11

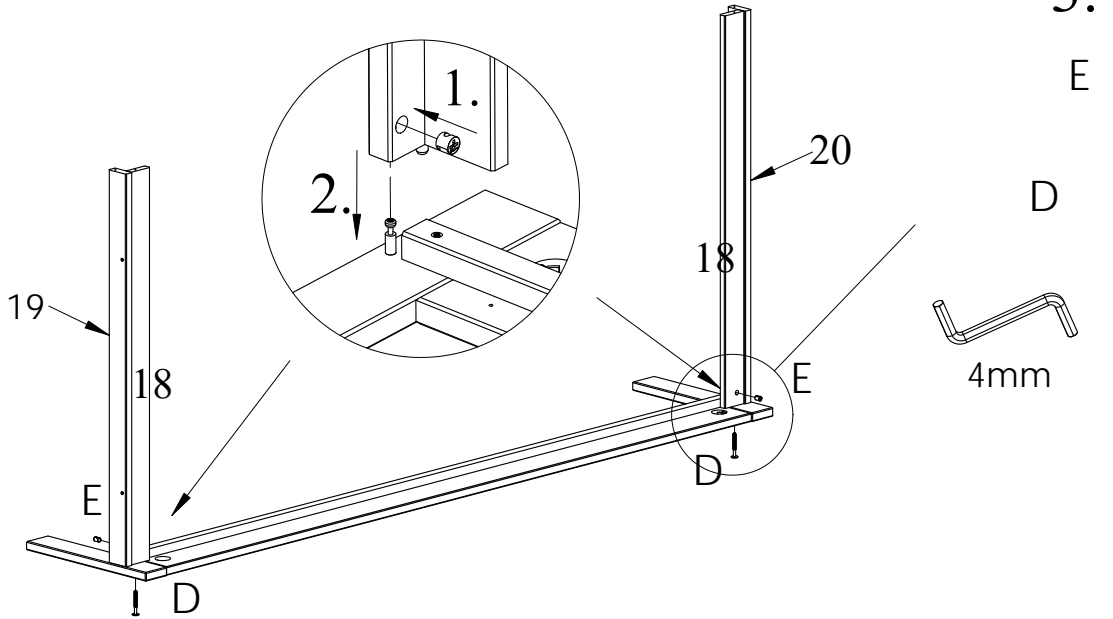
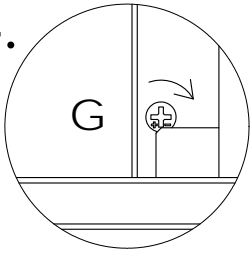


H		5x50	x4
---	---	------	----

12



4.



3.

E

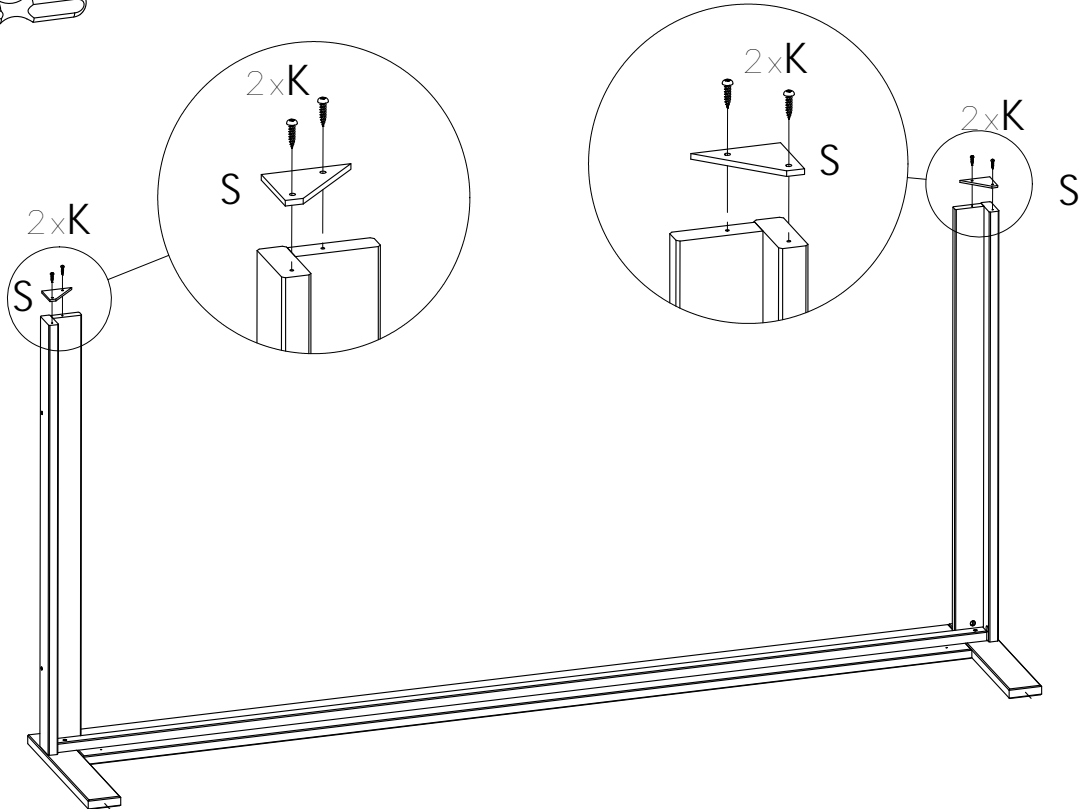
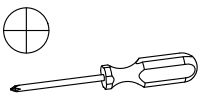
D

4mm

D		M6x55	x2
E		M6x10x13	x2

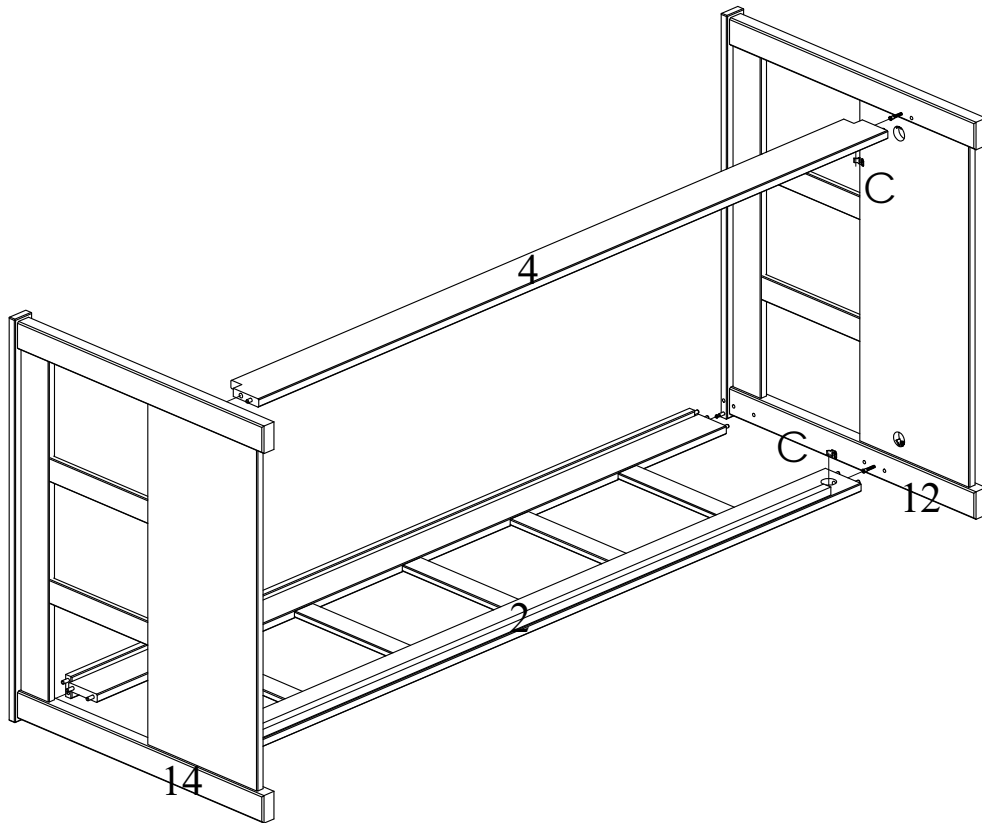
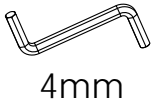
G		D12x10	x2
---	--	--------	----

13



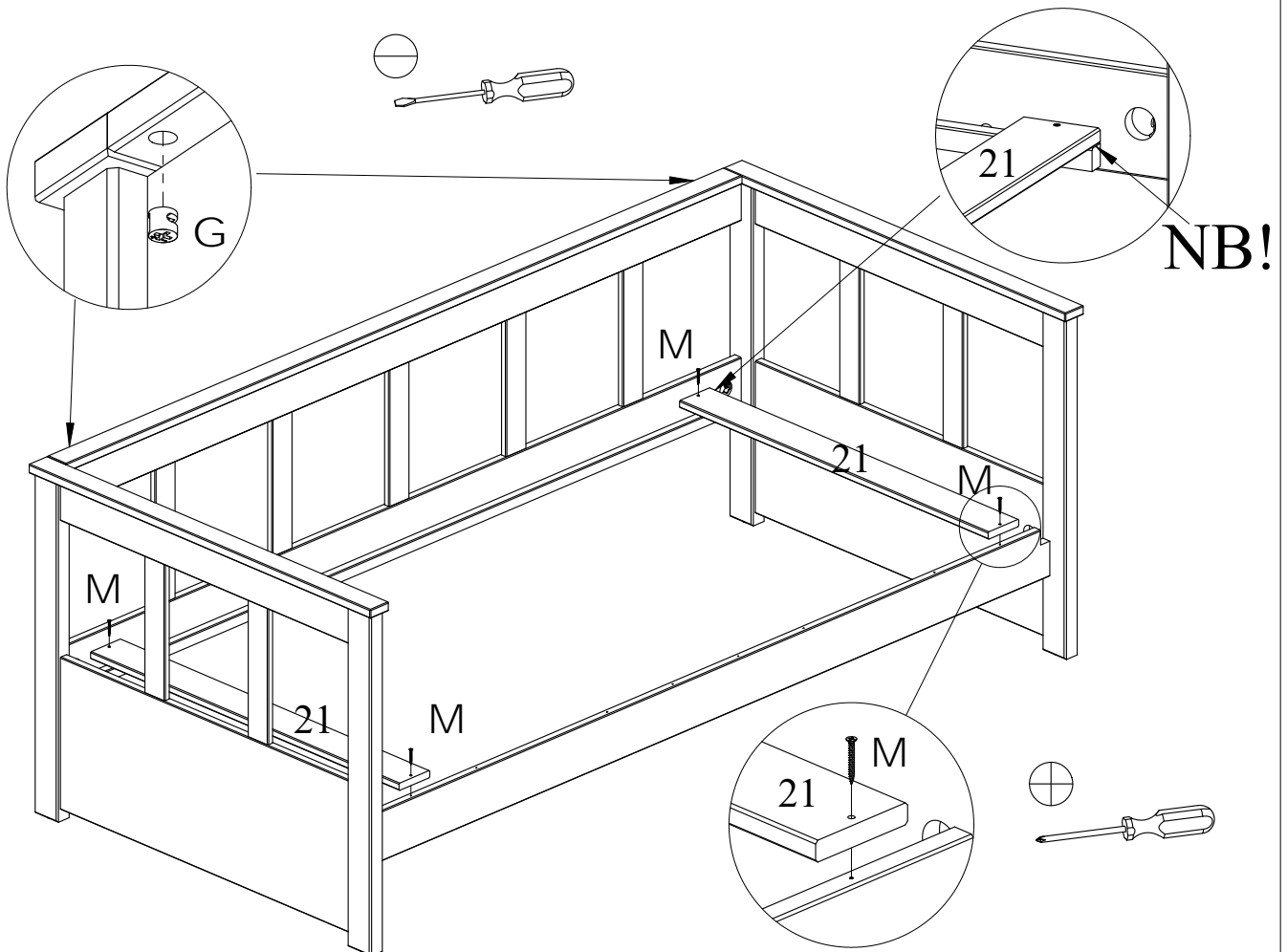
S		60x50x4	x2
K		4x20	x4

14



C		D35	x4
---	--	-----	----

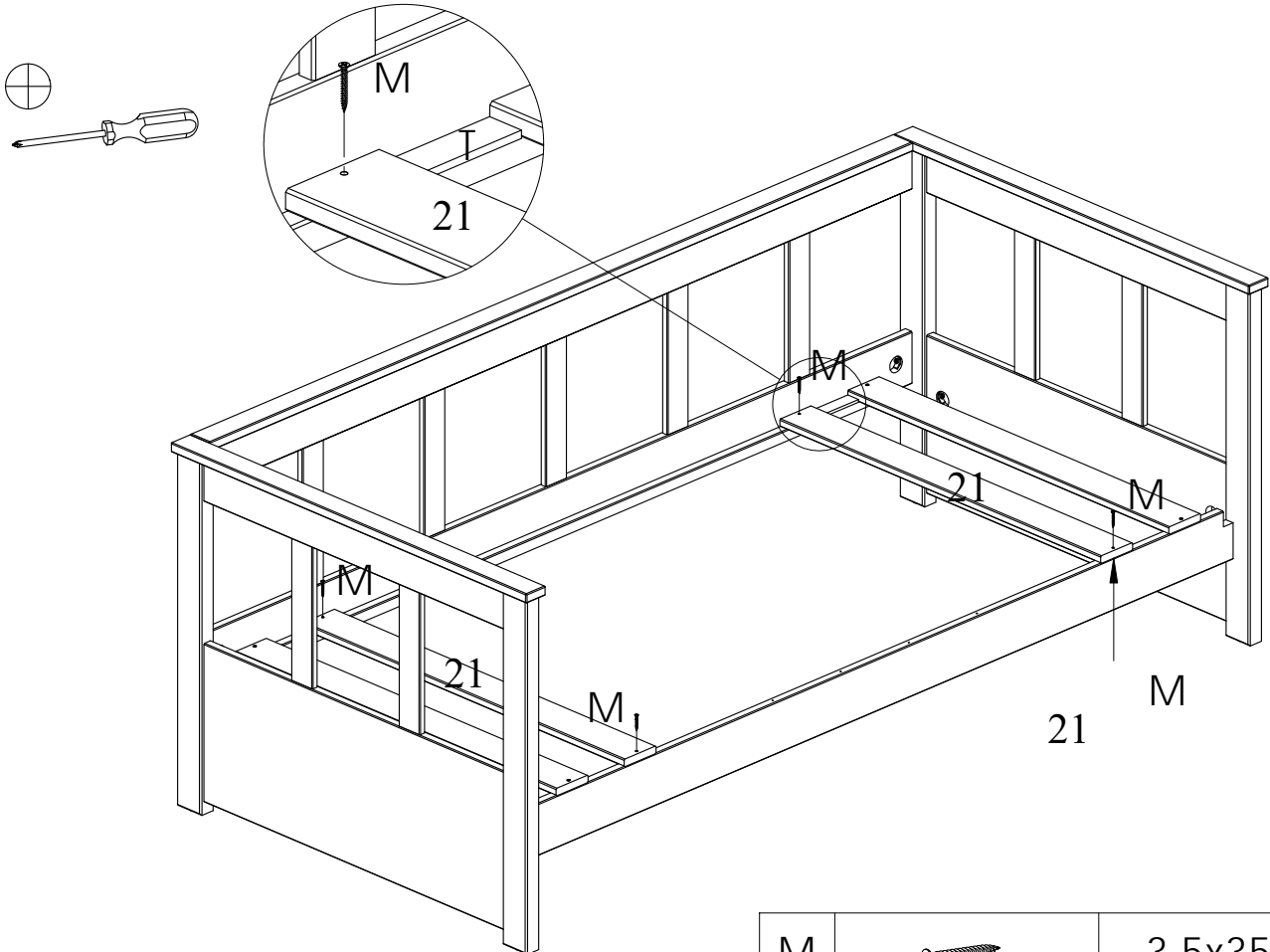
15





G		D12x10	x2
---	--	--------	----

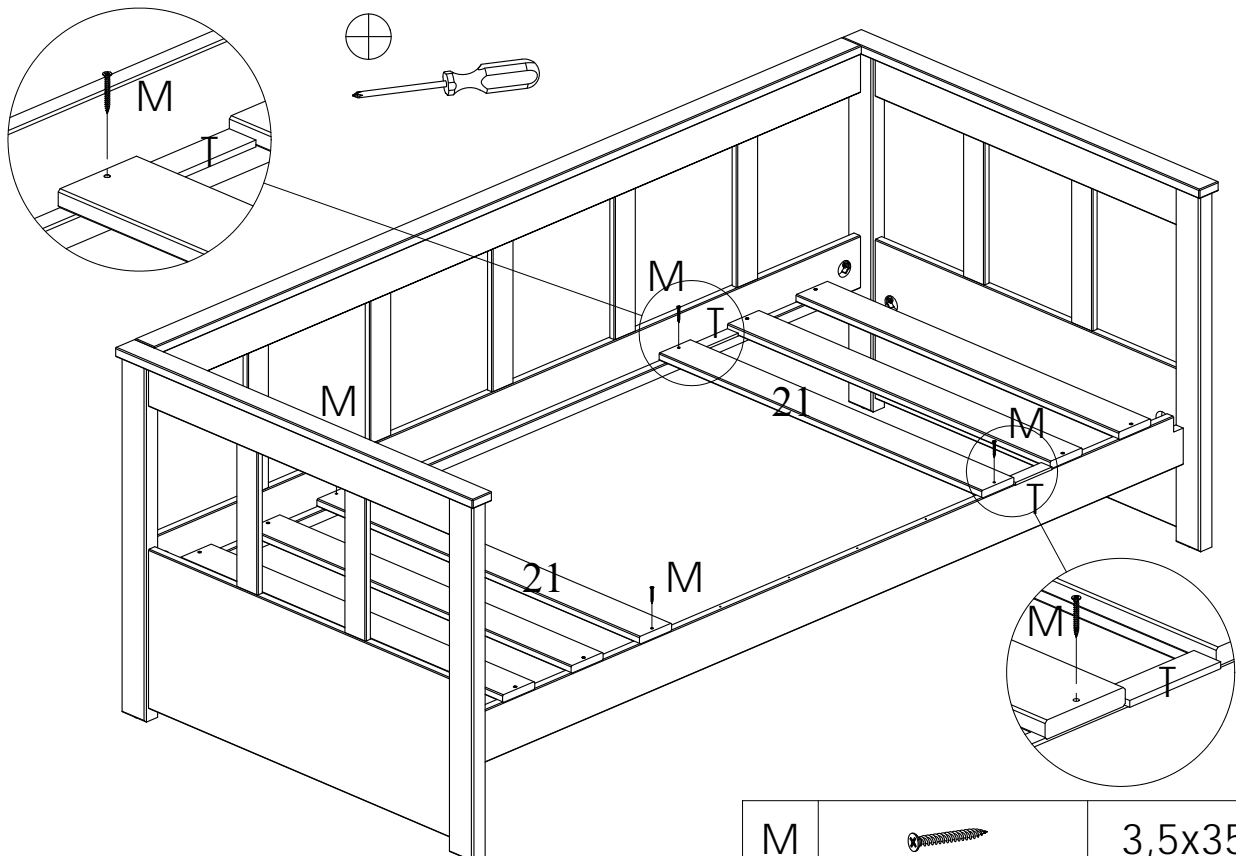
M		3,5x40	x4
---	--	--------	----



16



M		3,5x35	x4
T		102x30x6	x1

17



M		3,5x35	x4
T		102x30x6	x2

